



CATEGORY  
**ELECTRICAL  
BOXES**

AMMO ITEM #

**ARB64A**

Company: \_\_\_\_\_  
Job: \_\_\_\_\_ #Item: \_\_\_\_\_  
Notes: \_\_\_\_\_

# Plastic Outlet Box Four-Gang With Captive Nails



### FEATURES

- 2 hour fire rated
- Color: Grey
- For Use With Non-Metallic Sheathed Cable
- Four-Gang with captive nails bracket support and hanger bar mounting

### MATERIAL / FINISH

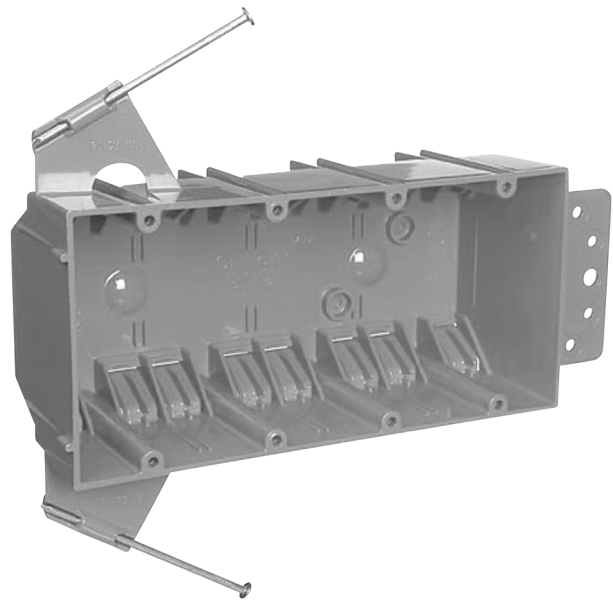
- PVC
- Sheathed

### DIMENSIONS

- Cubic Capacity: \_\_\_\_\_ 87 Cu in
- Length: \_\_\_\_\_ 7-7/10 in
- Width: \_\_\_\_\_ 3-3/4 in
- Depth: \_\_\_\_\_ 4 in
- Weight: \_\_\_\_\_ 217 g

### PACKAGING

- PKG: \_\_\_\_\_ 30
- UPC Number: \_\_\_\_\_ 837654093030



## ELECTRICAL BOXES & COVERS



400 MARTIN LUTHER KING JR WAY, BRIDGETON, NJ 08302  
PHONE : (718).338.1851 FAX : (718).228.1851  
orders@ammoelectric.com

[www.ammoelectric.com](http://www.ammoelectric.com)