

# NF-R2

New Construction Frame-In for NM1-PRDC

Type \_\_\_\_\_

Project \_\_\_\_\_

Catalog No. \_\_\_\_\_

Notes \_\_\_\_\_

### PRODUCT DESCRIPTION

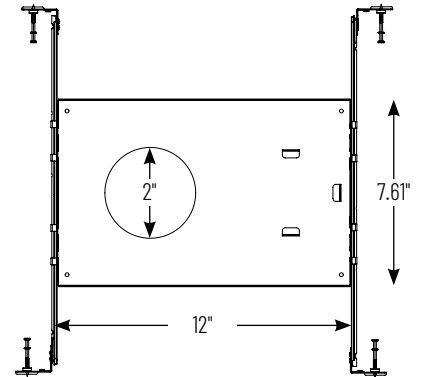
New construction frame-in can be used to assist installing M1+ LED Downlight (NM1-PRDC).

**Mounting:** Bar hangers are adjustable from 13-3/4" to 26" with integral nails. Bar hangers are slotted for T-bar ceiling grids.

### COMPATIBLE LUMINAIRE

[NM1-PRDC](#): 1" M1+ LED Downlight

### PRODUCT IMAGES AND DIMENSIONS



### New Construction Frame-In for NM1-PRDC

### Compatible Luminaire

Accessory Type

**NF-R2** = New Construction Frame-In for NM1-PRDC

Description

**NM1-PRDC** = 1" M1+ LED Downlight

Example: **NF-R2** = New Construction Frame-In for NM1-PRDC