

INSTALLATION INSTRUCTIONS

PT-DLS-21-R SERIES

PT-DLS-21-R-4I-10W-5CCT

PORTOR
LIGHTING
a PORTOR INDUSTRY brand

4"
APERTURE



5CCT
<SELECTOR>

CAUTION: RISK OF ELECTRIC SHOCK

DISCONNECT POWER BEFORE CONNECTING THE FIXTURE. FAIL TO DO SO MAY PERMANENTLY DAMAGE THE LEDS.

WARNING DO NOT REMOVE OR ATTEMPT TO REMOVE LEDS.

SAFETY PRECAUTIONS

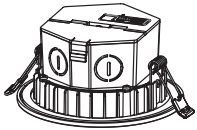
FOR SAFETY, READ AND UNDERSTAND INSTRUCTIONS COMPLETELY BEFORE STARTING INSTALLATION. ELECTRICITY SHOULD BE TURNED OFF AT THE FUSE OR THE CIRCUIT BREAKER BOX BEFORE INSTALLING THE FIXTURE. ALL ELECTRICAL CONNECTIONS MUST BE IN ACCORDANCE WITH N. E. C. OR YOUR LOCAL CODE.

ASSEMBLY INSTRUCTIONS

1. PREPARING FOR INSTALLATION: DISCONNECT ELECTRICAL POWER BEFORE INSTALLING OR SERVICING ANY PART OF THIS FIXTURE.
2. THIS DEVICE COMPLIES WITH PART 15 OF THE FCC RULES. OPERATION IS SUBJECT TO THE FOLLOWING TWO CONDITIONS: (1) THIS DEVICE MAY NOT CAUSE HARMFUL INTERFERENCE, AND (2) THIS DEVICE MUST ACCEPT ANY INTERFERENCE RECEIVED, INCLUDING THAT MAY CAUSE UNDESIRE OPERATION.

PACKAGE CONTENTS

LED 2 in 1 Downlight



4" (1 pc)



2x wire nuts



ST3x5 Screws x2



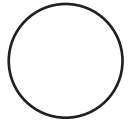
E26 base adapter



Hardwire pigtail x1



Torsion spring x2

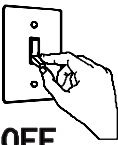


Cut-out template

INSTALLATION (CONSULT A QUALIFIED ELECTRICIAN BEFORE INSTALLING)

CAN-LESS INSTALLATION (Use tools to cut holes in the ceiling - 4.3")

ON



OFF

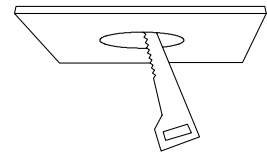
1) Turn off the power. Make sure the switch is OFF at the breaker box.

2) Select the location for the fixture. Ensure there is enough space for the fixture.

Note : Ensure that there is no joist on the desired location.

3) Cut the hole in the ceiling using the provided template.

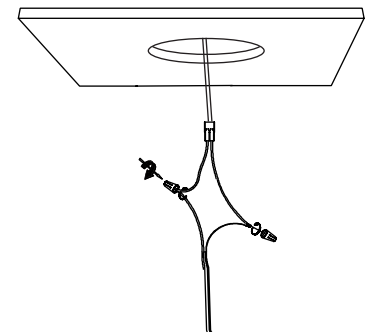
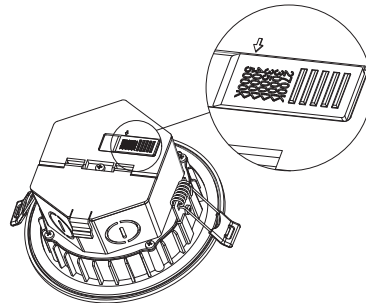
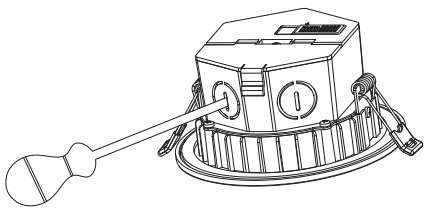
Note The cut out size should be 6.30 in.



4) Remove the knock out from the junction box using a screwdriver.

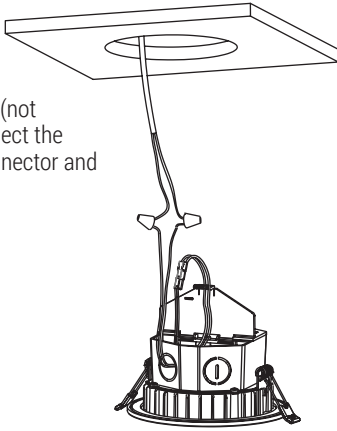
5) Locate the switch and power supply wires by opening the power supply box. Pre select the desired CCT by switching between 2700K, 3000K, 3500K, 4000K, 5000K.

6) Connect the hardwire pigtail to the main power line. Black goes to black and white to white. Use the wire nuts provided to ensure there is a secured connection .

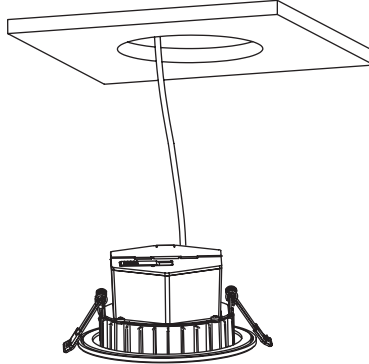


INSTALLATION (CONTINUATION)

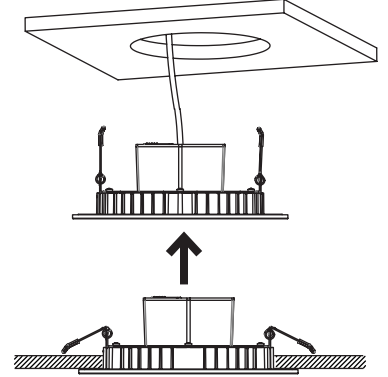
7) Feed the supply wires into the knockout. Ensure to use a 3/8 in. metal clap connector (not included). Connect the two orange connector and ground wires.



8) Once all wires are connected correctly, place wire inside the junction box and close the junction box cover.



9) Pull the spring clips on the slim microdisk up and gently guide through the ceiling hole until the clips snap.



RETROFIT INSTALLATION (Suitable for 4" retrofit housing)

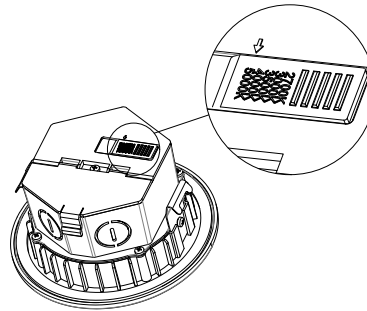
ON



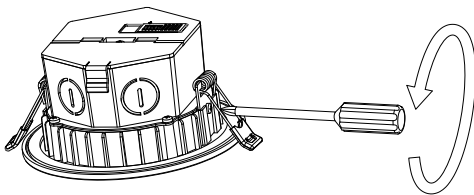
OFF

1) Turn off the power. Make sure the switch is OFF at the breaker box.

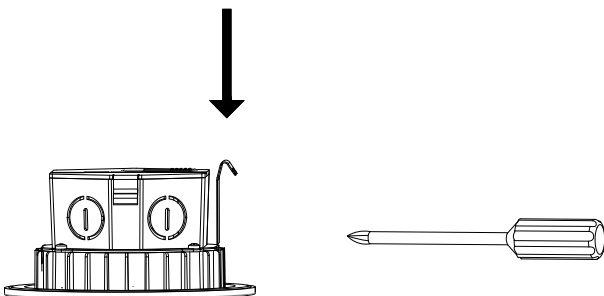
4) Pre select the desired CCT by switching between 2700K, 3000K, 3500K, 4000K, 5000K.



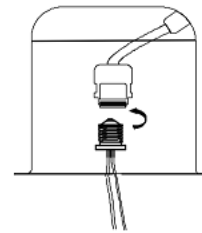
2) Remove spring attachment from downlight



3) Install the spring piece into the slot of the downlight using ST 3x5 screws.



5) Install the E26 adapter into the CAN socket



6) Connect the two orange connector and gently push the fixture into the recesses CAN.

