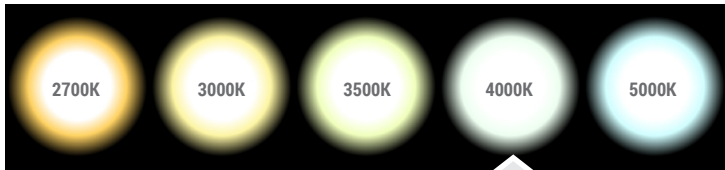


| | | | |
|---------------|--------|-------|-------|
| Project Name: | Notes: | Date: | Type: |
|---------------|--------|-------|-------|

Portor's 2-hour fire-rated recessed downlight is an exceptional lighting solution designed to prioritize safety without compromising on aesthetics or functionality. This innovative fixture is engineered to withstand the rigors of a fire for up to two hours, making it an essential choice for commercial and residential applications where fire protection is paramount.

Ideal for soffits, drop ceilings, closets, attics, hallways, bathrooms, kitchens, basements, entry ways, porches (covered ceiling only), garages, stairwells, corridors, nursing/retirement homes, condos, elevators, apartments, and any other small areas with limited space.



Easily flip the switch for desired CCT. It's that simple!

FEATURES

- 2-Hour fire rating providing a reinforced and heat resistant steel casing
- LED technology fits anywhere you need general light source
- IC rated for direct contact with insulation
- Perfect solution where joists or duct work would normally prevent recessed installation
- Wet location rated for soffit applications
- Easy installation, no housing required

DIMMING

Triac dimmable down to 100%-10%.
Compatible with most major brands of dimmers.

LISTING

ETL Listed, Wet location, Energy Star Listed

| WATTAGE | DELIVERED LUMENS | EFFICACY |
|---------|------------------|---------------|
| 15W | 1104 @ 2700K | up to 74 lm/W |
| | 1050 @ 3000K | |
| | 1103 @ 3500K | |
| | 1111 @ 4000K | |
| | 1077 @ 5000K | |

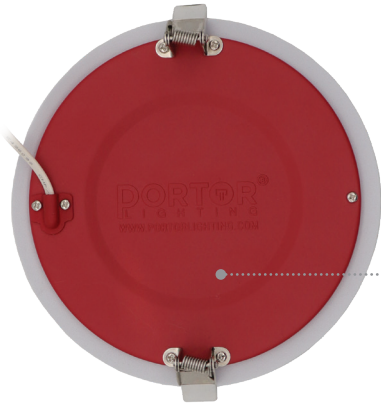
TECHNICAL SPECIFICATION

| | |
|----------------|----------------------------|
| WATTAGE | 15W |
| VOLTAGE | 120V, 60 Hz |
| CCT | 27K/30K/35K/40K/50K |
| CRI | 90 |
| BEAM ANGLE | 120° |
| RATING | Suitable for wet locations |
| DIMMABLE | Triac dimming |
| POWER FACTOR | >0.9 |
| OPERATING TEMP | -4°F~104°F (20~40°C) |
| WARRANTY | 5 year limited |



| MODEL NUMBER(S) | | | | | | |
|-------------------------|-------|--------------------|---------|-----------------------------------|-----|---------|
| MODEL# | WATTS | LUMENS | LM/WATT | CCT | CRI | VOLTAGE |
| PT-DLS-R-FR-6I-15W-5CCT | 15W | 1111 (at 4000K) | 74 | 2700K/3000K/3500K/ 4000K/5000K | 90 | 120V |

| | | | |
|---------------|--------|-------|-------|
| Project Name: | Notes: | Date: | Type: |
|---------------|--------|-------|-------|



• Sealing gasket standard



PROVIDING A REINFORCED AND HEAT RESISTANT STEEL CASING

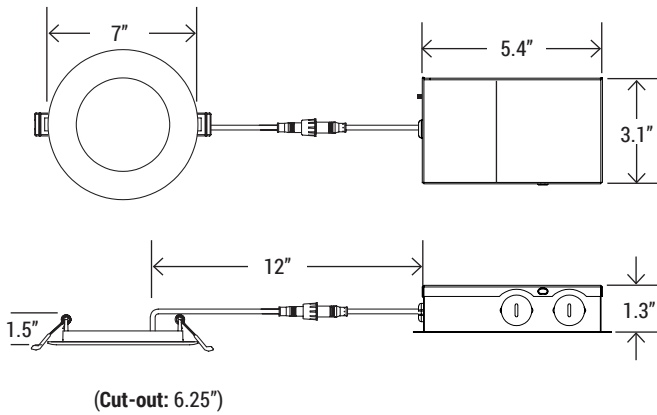
Tested to comply with UL 263, ASTM E119 & CAN ULC S101



2700K | 3000K | 3500K | 4000K | 5000K

Change color temperature with the simple flip of a switch

DIMENSION



MOUNTING OPTIONS



UNI-DLS
4"/6" Universal Slim LED Housing for New Construction



RP-DLS-6I
6" Slim LED Rough plate

COMPATIBLE DIMMERS

| LUTRON* | LEVITON* | LEGRAND |
|--|--|--|
| <ul style="list-style-type: none"> • CT-600P • DVLC-153P • MSCL-OP153M • PD-6WCL • MACL-153M/MA-R • TG-600PR-WH • S-600PR-WH • CTCL-153PDH-WH • TGCL-153PH-LA • SLV-600P-AL • DV-600PR-WH • SCL-153PH-WH | <ul style="list-style-type: none"> • RNL06 • 6672 • 6674 • IPL06 • DLS06 • SELV-300P-WH • VP106-1LZ | <ul style="list-style-type: none"> • ADTP70TU |

*For more details, please visit company's website