

Catalog Number:	Project Name:	Note:	Date:	Type:
-----------------	---------------	-------	-------	-------

The FLHO - High Output flood light series combines energy efficiency and advance optical control. The slim profile delivers enhanced lighting performance. Robust housing can withstand harsh outdoor environments.

Available with knuckle mount or a u-bracket mount for convenient mounting option. Ideal use for facades, outdoor, signage, shopping centers, industrial areas and other outdoor places with spot lighting is needed.



Shown in Slipfitter Mount

CONSTRUCTION

Die-cast aluminum housing with excellent heat management equipped for long lasting durability. Weather-proof gasketed that is IP65 rated. Small slim profile make it versatile for various different application.

ELECTRICAL

Luminaire is built with the highest quality driver that is Universal Voltage (120-277V), uses long lasting, high-efficient LED packages.

OPTICAL SYSTEM

Clear tempered glass lens is designed to reduce glare and improve overall light-distribution through precision formed lens optics.

PHOTOCELL

With integrated photocell, ON/OFF features standard.

ENERGY SAVINGS

Over 50% energy savings than traditionally fluorescent fixtures, low heat productions requires less maintenance and operation cost.

LISTING

UL Listed, DLC Premium Listed, FCC, RoHS, CE, IP65 rated.

WARRANTY

5 year Limited Warranty, Rated for 50,000 hours.

PART #	WATTAGE	DELIVERED LUMENS	EFFICACY
PT-FLHO-MW	205W	32,906	169 lm/W
	225W	36,028	169 lm/W
	255W	39,869	160 lm/W
PT-FLHO-HW	270W	43,425	169 lm/W
	300W	47,121	166 lm/W
	330W	52,144	164 lm/W

Based on IES test results @ 4000K. Actual lumens may vary.

TECHNICAL SPECIFICATION

CRI	70+
DIMMABLE	0-10V dimming
VOLTAGE	120V-277V, 50/60 Hz / 277-480V
SURGE PROTECTION (Optional)	L/N-PE: 10KV
BEAM ANGLE	140° x 120°
POWER FACTOR	>0.9
THD	≤20%
WORKING TEMPERATURE	-40°F - +113°F
OPERATING HUMIDITY	20%-90% RH
IP RATING	IP65 Wet Location
WARRANTY	5 year limited

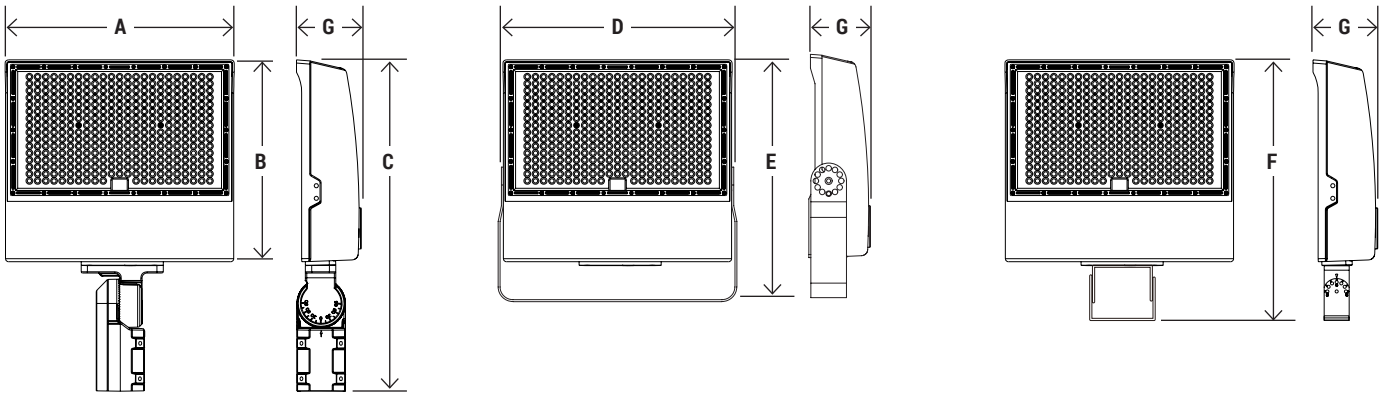


ORDERING SAMPLE: - - - - -

Series	Wattage	CCT	Voltage	Mounting	Photocell
PT-FLHO High Output Flood Light	MW (205W/225W/255W) HW (270W/300W/330W)	3CP (3000K/4000K/5000K)	blank (120-277V) HV (277-480V)	SF-AL2 SPM-AL2 SAM-AL2 TM-AL2 UB-FLHO-MW UB-FLHO-HW	PC

Catalog Number:	Project Name:	Note:	Date:	Type:
-----------------	---------------	-------	-------	-------

DIMENSION



Slipfitter Mount

U-Bracket Mount

Yoke Mount

CATALOG NUMBER	A	B	C	D	E	F	G	EPA
PT-FLHO-MW-3CP	13.94"	12.6"	20.63"	14.57"	14.96"	18.15"	3.7"	1.4 ft ²
PT-FLHO-HW-3CP	16.22"	13.54"	21.61"	17"	16.34"	17"	3.82"	1.7 ft ²

QTY/CARTON



MOUNTING OPTIONS



SF-AL2
Slipfitter Mount



SPM-AL2
Adjustable Mount for Square/
Round Pole



SAM-AL2
Straight Arm Mount for
Square Pole



TM-AL2
Trunnion Mount



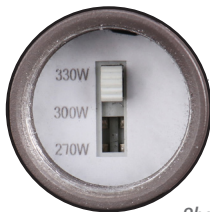
UB-FLHO-MW
UB-FLHO-HW
U-Bracket Mount

PHOTOCELL
(PC Receptacle
installation needed)

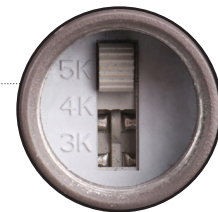


PC
Photocell

WATTAGE
SELECTOR
MW (205W/225W/255W)
HW (270W/330W/330W)



Shown in HW



CCT
SELECTABLE
3000K/4000K/5000K